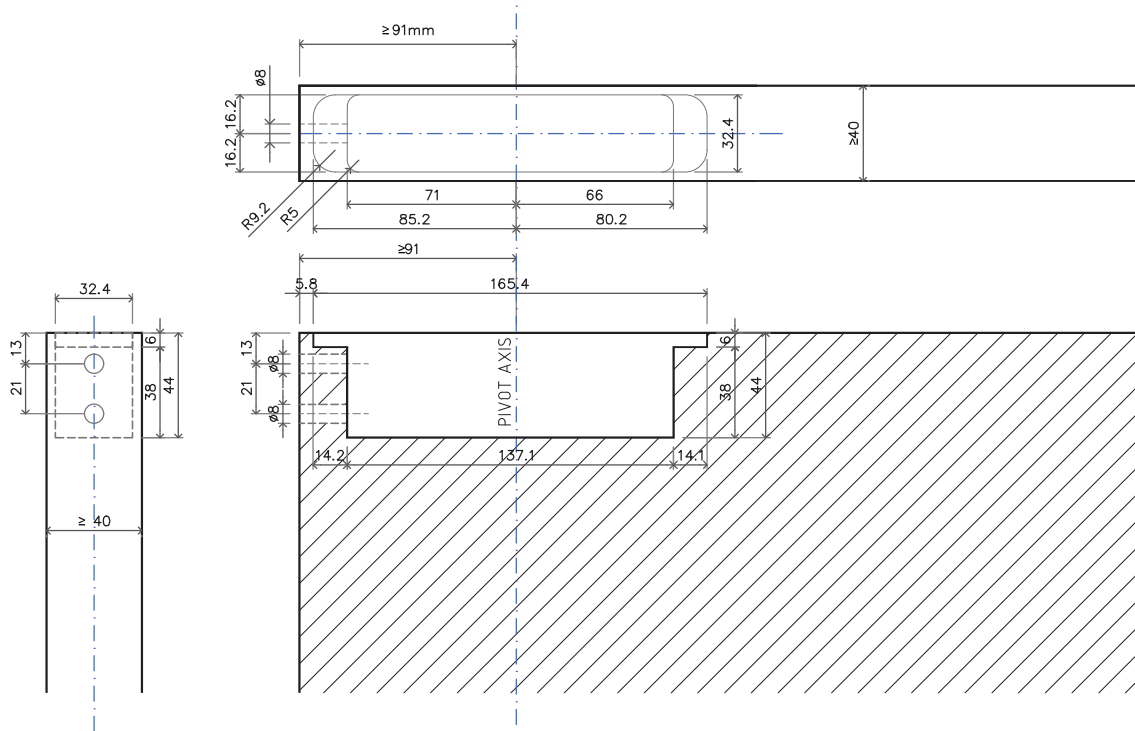


MILLING

TOP PIVOT CABLE GROMMET PREPARING THE DOOR



COMPONENT

